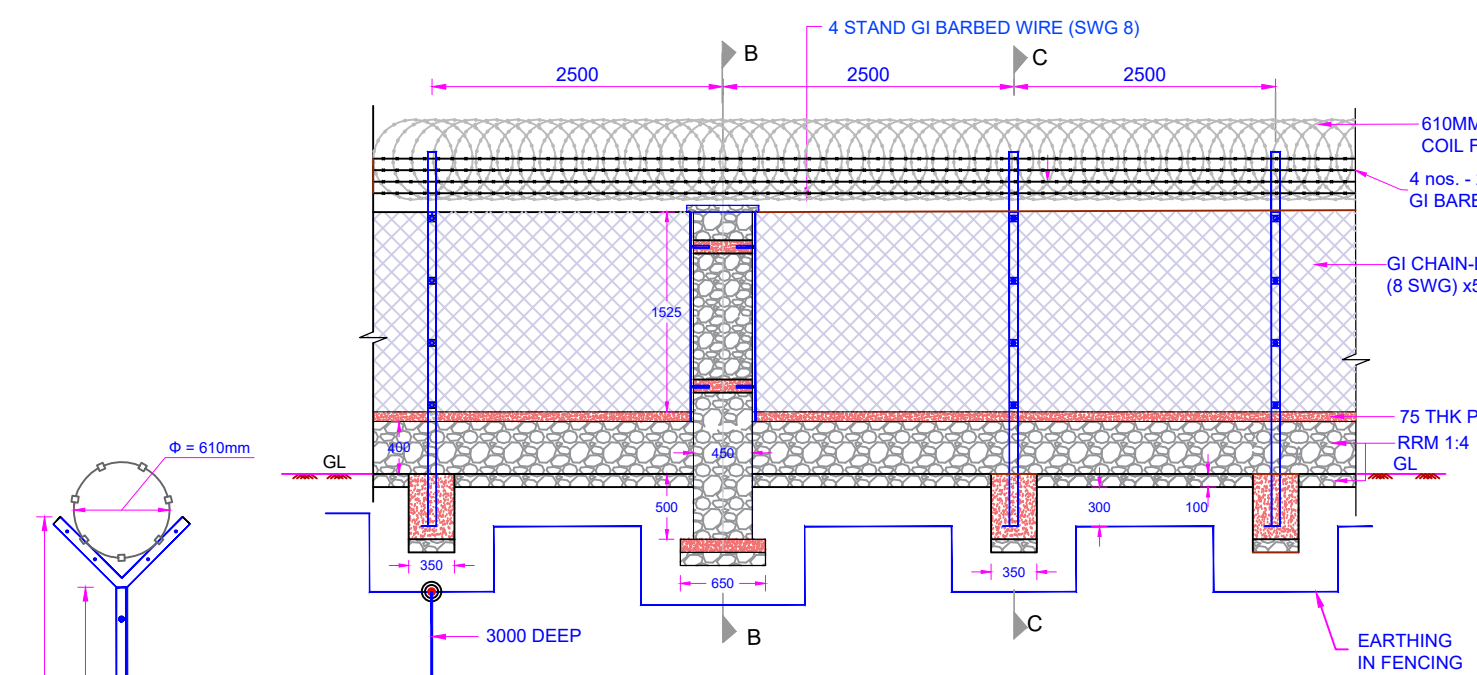
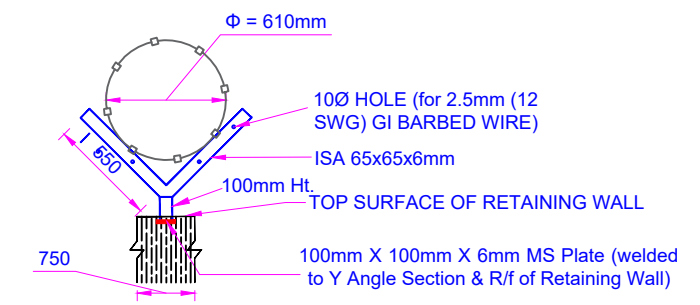


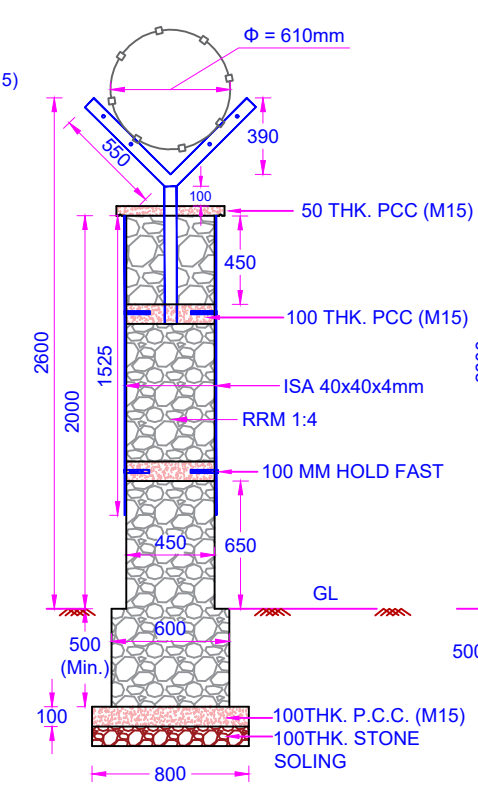
POTHEAD YARD: FENCING PLAN



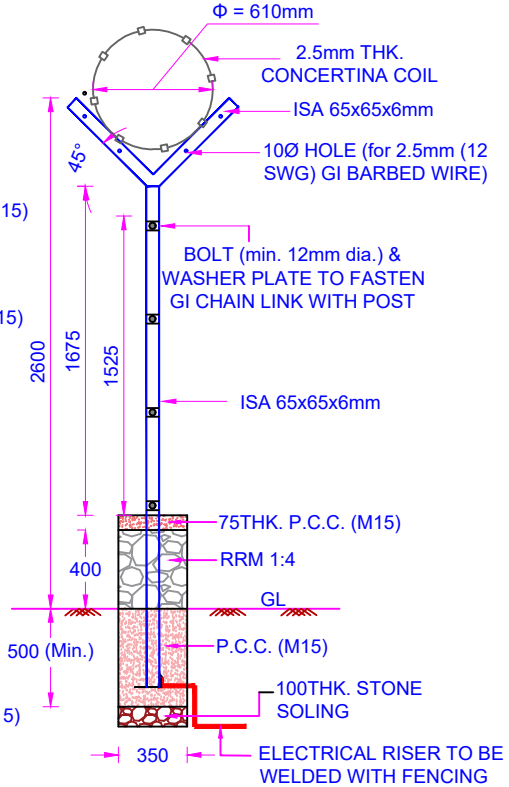
TYP. FENCING SECTION DETAILS



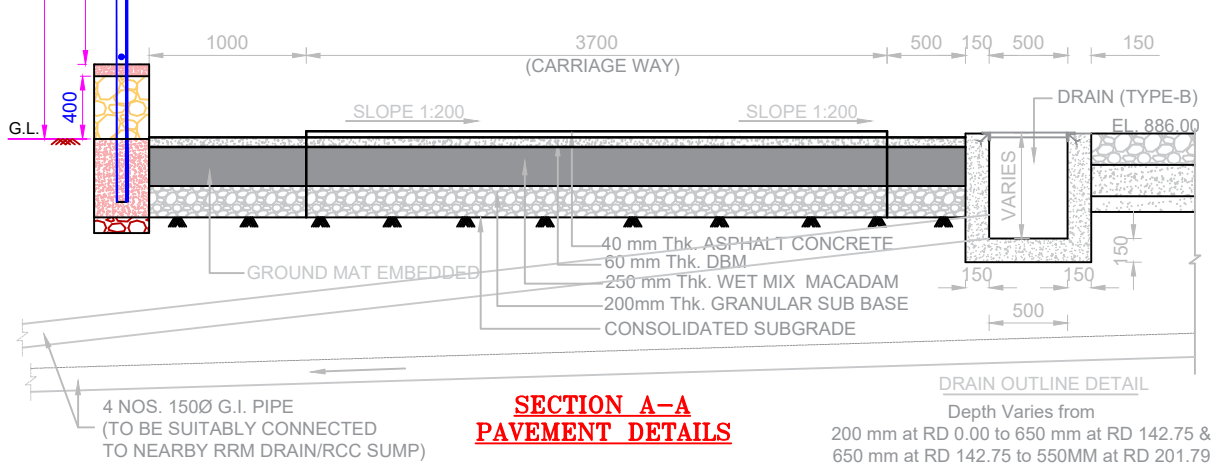
**SECTION E-E
(FENCING OVER RETAINING WALL)**



**SECTION B-B
(Big Column: At bends
or at 12.5m c/c)**



**SECTION C-C
(Small Column: At 2.5m c/c)**



**SECTION A-A
PAVEMENT DETAILS**

- NOTES:**
1. ALL DIMENSIONS ARE IN MILLIMETERS & RDs ARE IN METERS.
 2. NO DIMENSION SHALL BE MEASURED FROM THE DRAWING.
 3. ALL DETAILS/DIMENSIONS SHALL BE CHECKED ALONG WITH THE REFERRED/RELATED DRAWINGS BEFORE STARTING THE WORK. DISCREPANCY, IF ANY, SHALL BE BROUGHT TO THE NOTICE OF WAPCOS IMMEDIATELY.
 4. THIS DRAWING SHOWS THE DETAILS OF FENCING IN POTHEAD YARD AREA.
 5. TOTAL LENGTH OF FENCING IS ABOUT 448M (INCLUDING 93M OVER RETAINING WALL).
 6. EARTHING RODS ARE LEFT AT SITE, SHALL BE CONNECTED WITH FENCING.

FOR TENDER PURPOSE ONLY

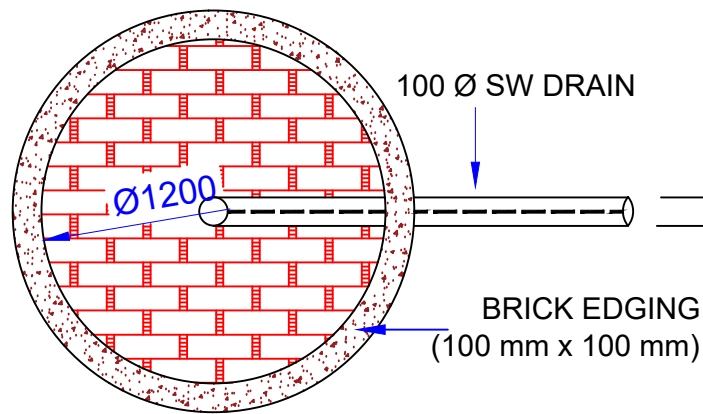
PUNATSANGCHHU-I HYDROELECTRIC PROJECT AUTHORITY (BHUTAN)

CONSULTANTS
WAPCOS LIMITED
(A GOVT. OF INDIA UNDERTAKING)

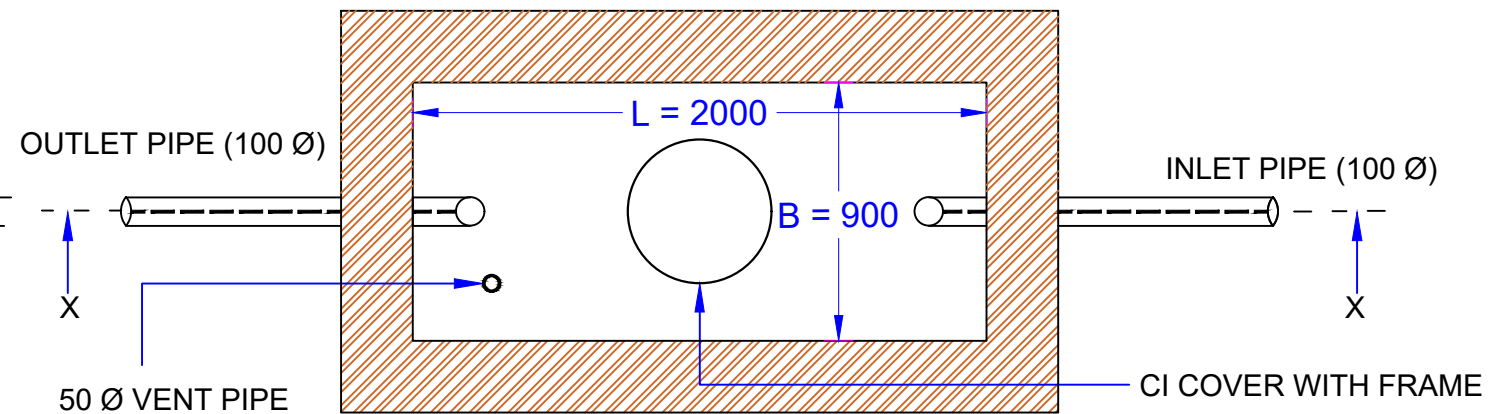
PUNATSANGCHHU-I H.E. PROJECT (BHUTAN)

POTHEAD YARD: FENCING - PLAN

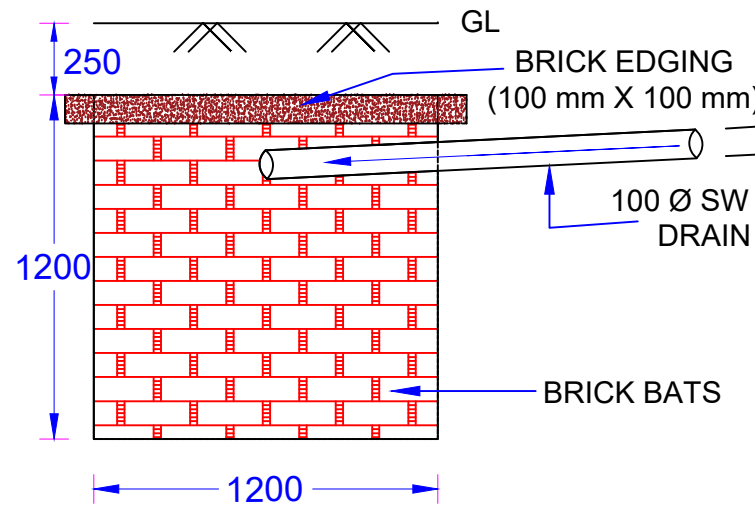
DRAWN	DESIGNED	E&M CLEARANCE	CHECKED	APPROVED
WAPCOS PROJECT OFFICE, BJIMTHANGKHA BHUTAN				11 MAR, 2023
DRG. NO.: WAP/PHEP-I/MC3/PHY/2552				REV-0



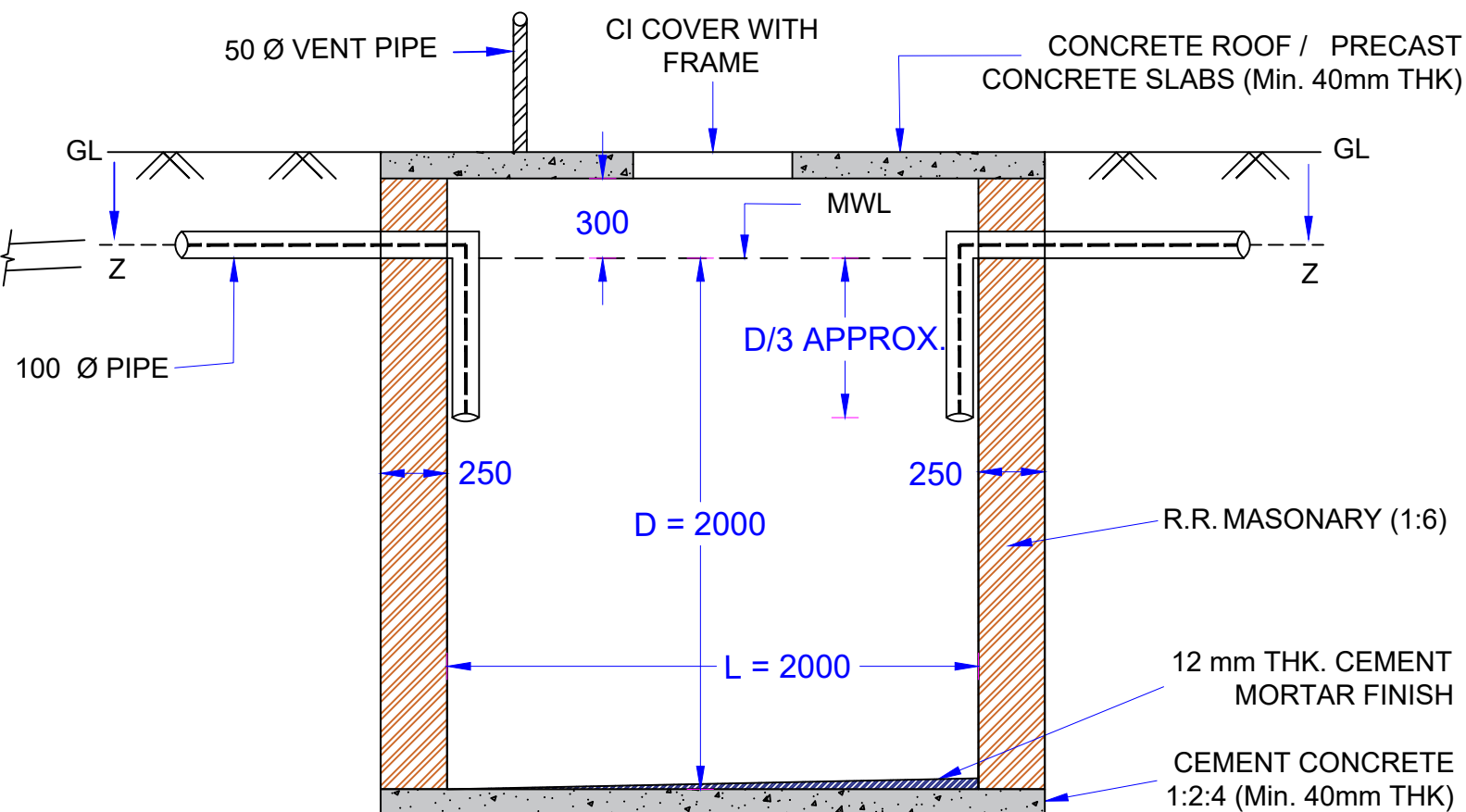
SOAK PIT PLAN (1200 Ø)



SECTION Z-Z (SEPTIC TANK)



TYP. SOAK PIT DETAILS (1200 x 1200 x 1200)



SECTION X-X (SEPTIC TANK)

TYPICAL SKETCH OF SINGLE COMPARTMENT SEPTIC TANK (2000 X 2000 X 900)

NOTES:

1. ALL DIMENSIONS ARE IN MILLIMETERS.
2. NO DIMENSION SHALL BE MEASURED FROM THE DRAWING.
3. ALL DETAILS/DIMENSIONS SHALL BE CHECKED ALONG WITH THE REFERRED/RELATED DRAWINGS BEFORE STARTING THE WORK. DISCREPANCY, IF ANY, SHALL BE BROUGHT TO THE NOTICE OF WAPCOS IMMEDIATELY.
4. THIS DRAWING SHOWS THE DETAILS OF SEPTIC TANK AND SOAK PIT IN POTHEAD YARD AREA.
5. THIS DRAWING SUPERCEDES EARLIER DRAWING FOR SOAK PIT AND SEPTIC TANK (TITLE : SEPTIC TANK & INCEPTION PIT DETAIL - DRAWING No. DGPC-PHY-AR-29-R4).

FOR TENDER PURPOSE ONLY

PUNATSANGCHHU-I HYDROELECTRIC PROJECT AUTHORITY (BHUTAN)

CONSULTANTS
WAPCOS LIMITED
 (A GOVT. OF INDIA UNDERTAKING)

PUNATSANGCHHU-I H.E. PROJECT (BHUTAN)

POTHEAD YARD: SEPTIC TANK & SOAK PIT

DRAWN	DESIGNED	E&M CLEARANCE	CHECKED	APPROVED
-------	----------	---------------	---------	----------

WAPCOS PROJECT OFFICE, BJIMTHANGKHA BHUTAN 07 APR, 2023

DRG. NO.: WAP/PHEP-I/MC3/PHY/2553 REV-0

TYPICAL DRAWINGS FOR SOAK PIT AND SEPTIC TANK (AS PER BSR-2022 CODE PO0600 & PO0610 RESPECTIVELY)